

BLA1HC23 Technical Specification

Item		Specification				Remark	
1	Communication Interface	PWM				Signal Voltage:V	HIGH : min. 2.0V max. Vcc
							LOW : min. 0.0V max. 0.45V
						Frame Rate:T	3.0~30ms (Default 14.25ms)
						CW/Center/CCW:Td	2200/1620/856 μs (Resolution recommends less than 1 μs.)
		S.BUS / S.BUS2				Futaba Serial Protocol (Please ask us for more information.)	
2	Rated Voltage	DC 6.0~DC 7.4V				-	
3	Operating Voltage	DC 4.0~DC 8.4V				-	
4	Standby Current	≤ 45mA				at 6.0~7.4V	
5	Starting Current*	8.0A				at 7.4V	
6	Consumption Current*	LL	Me	UL	unit	at 7.4V , No-Load	
		355	515	725	mA	LL : Lower Limit Me : Medium Value UL : Upper Limit	
7	Max. Torque*	LL	Me	UL	unit	at 7.4V	
		27.8	37.0	46.2	kgf-cm		
		2.7	3.6	4.5	N-m		
		386.1	513.8	641.6	oz-in		
8	Rated Torque*	LL	Me	UL	unit	at 7.4V	
		5.6	7.4	9.2	kgf-cm	20% of Max. Torque	
		0.55	0.73	0.91	N-m		
		77.2	102.8	128.3	oz-in		
9	No Load Speed*	LL	Me	UL	unit	at 7.4V	
		0.08	0.11	0.14	sec/60°		
		428.6	545.5	750.0	°/sec		
		71.4	90.9	125.0	rpm		
10	Default Travel Angle	CW 157° (856us) CCW 18° (1620us) CCW 148° (2200us)				-	
11	BackLash*	≤ 0.5°				-	
12	Operating Temperature Range	-10~+45°C (14~113°F)				-	
13	Storage Temperature Range	-20~+60°C (-4~140°F)				-	
14	Outer Dimension	40.5 x 21.0 x 38.4mm (1.59 x 0.83 x 1.51 inch)				-	
15	Weight	72g (2.54oz)				-	
16	Case Material	Upper : Resin / Middle : AL / Bottom : AL				-	
17	Gear Set Material	1st,2nd,3rd,4th(Final) : Metal				-	
18	Cable	Non-Shielded Cable				Cable Length : 228.6mm (9.0 inch)	
19	Connector	Manufacture	Hirose Electric Co., Ltd.				
		Type	DF1B-3S-2.5R				
		Mating	DF1BA-3EP-2.5RC etc.				
		Pin Assignment	1	White	PWM/S.BUS		
		2	Red	Vcc			
		3	Black	GND			
21	Vibration Resistance *	Operating time ≥ 100h (at 7.4V)				Test Condition	
						Frequency range	80 to 400Hz
						Sweep Rate	1.2 min / single-sweep
						Acceleration	30G (294m/s ²)
						Vibration axis	X, Y, Z

* At 23±5°C (Initial Performance Data)

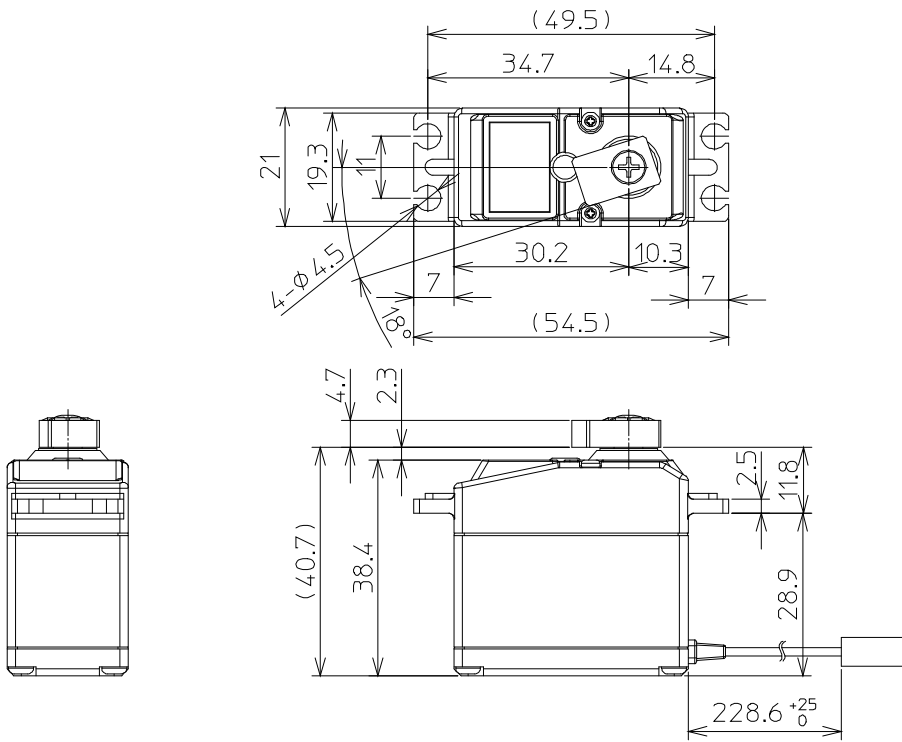
All Specifications are subject to change without prior notice.

Caution

This product SHOULD NOT be used for the devices that is directly related to human life.

Outer Dimension Unit(mm)

BLA1HC23



SERVO HORN

Unit(mm)

